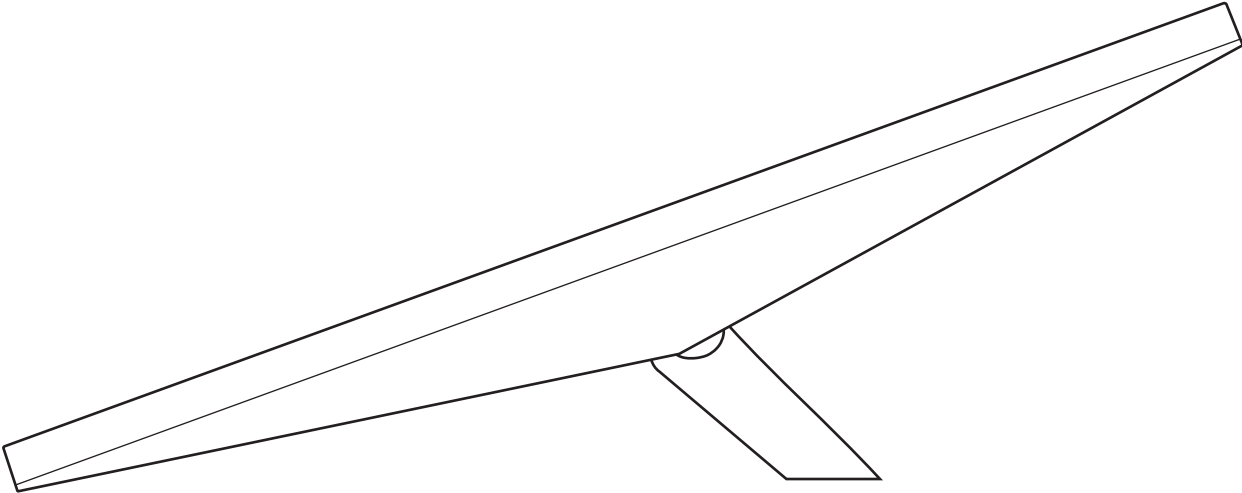
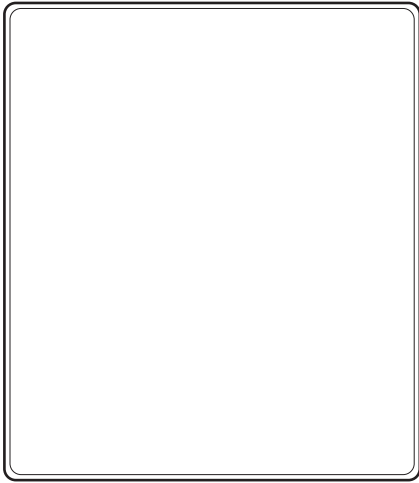


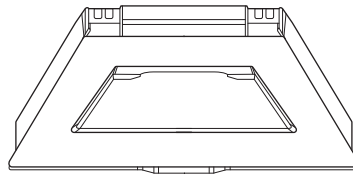
STARLINK | MINI SPECIFICATIONS



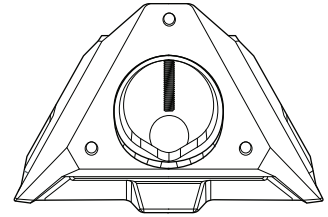
**What's In The Box**



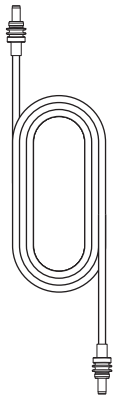
Starlink with Integrated WiFi



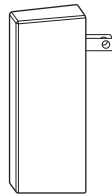
Kickstand



Pipe Adapter and Flat Mount



DC Power Cable  
15 m  
(49.2 ft)



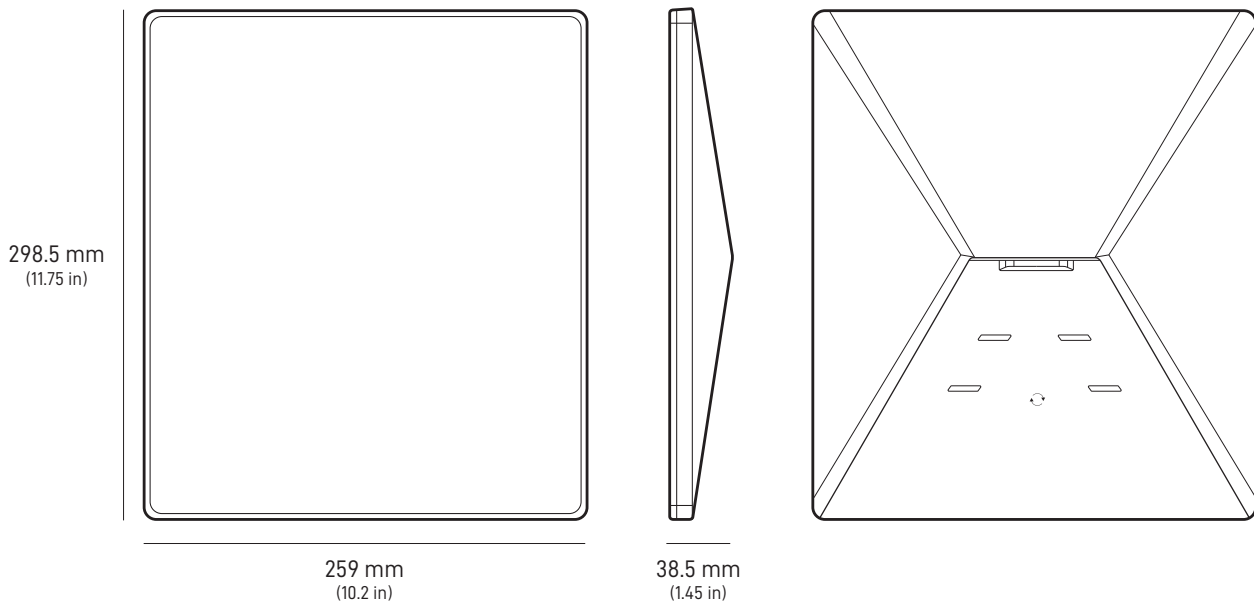
Power Supply



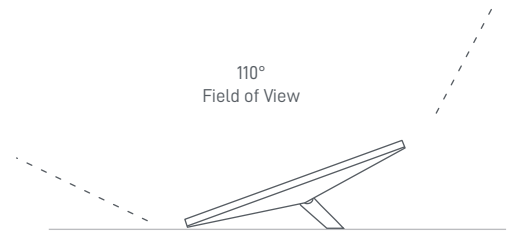
Starlink Plug

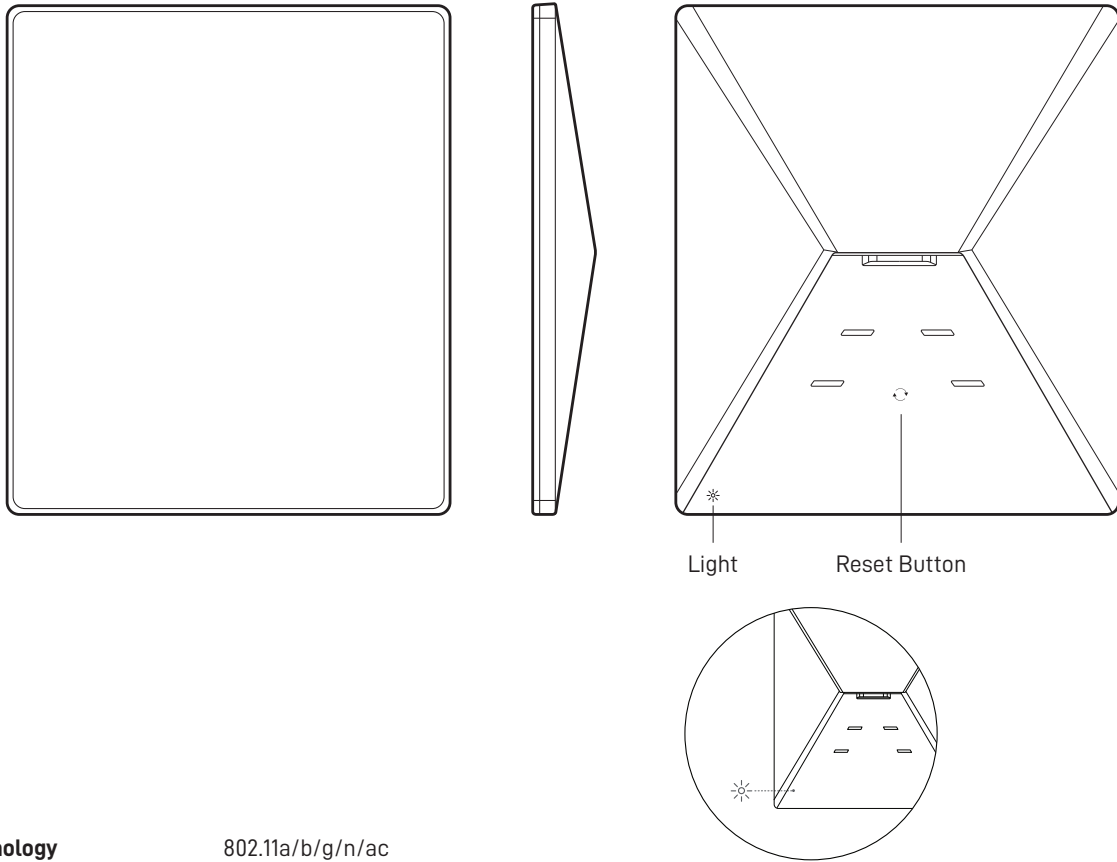
**Package Weight:** 2.89 kg (6.37 lbs)

**Package Dimensions:** 430 x 334 x 79 mm (16.92 x 13.14 x 3.11 in)

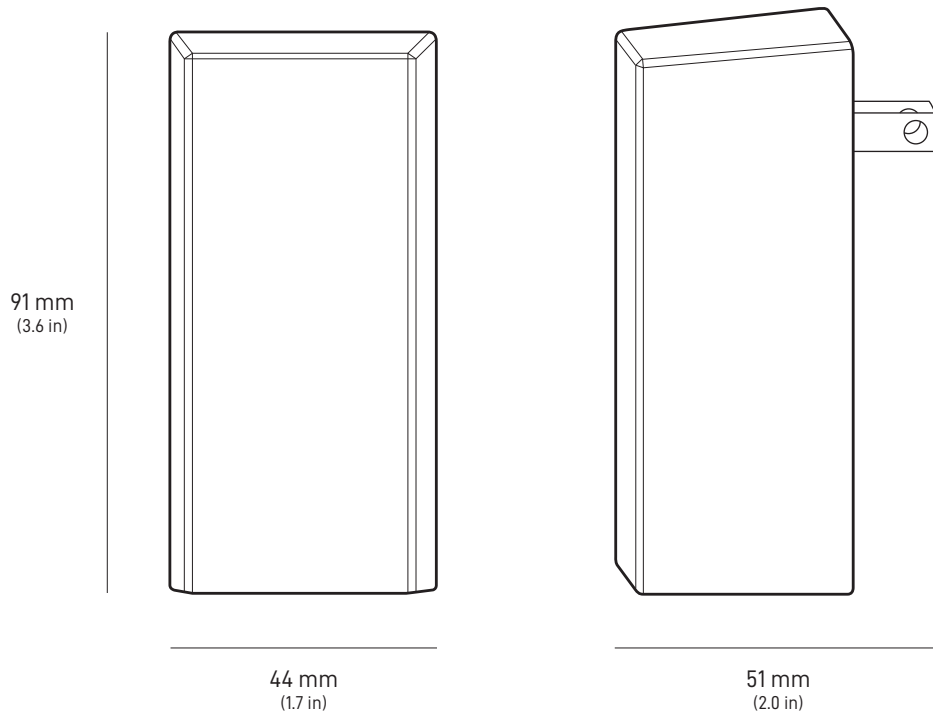


<b>Antenna</b>	Electronic Phased Array
<b>Field of View</b>	110°
<b>Orientation</b>	Software Assisted Manual Orienting
<b>Weight</b>	1.10 kg (2.43 lb) 1.16 kg (2.56 lb) with Kickstand 1.53 kg (3.37 lb) with Kickstand & 15 m Cable
<b>Environmental Rating</b>	IP67 Type 4 with DC Power Cable and Starlink Plug/Cable installed
<b>Operating Temperature</b>	-30°C to 50°C (-22°F to 122°F)
<b>Wind Speed</b>	Operational: 96 kph+ (60 mph+)
<b>Snow Melt Capability</b>	Up to 25mm / hour (1 in / hour)
<b>Power Consumption</b>	Average: 25-40W
<b>Input Rating</b>	12-48V 60W
<b>USB PD Requirement</b>	100W, 20V/5A Minimum (with Starlink USB-C to Barrel Jack Cable Accessory)

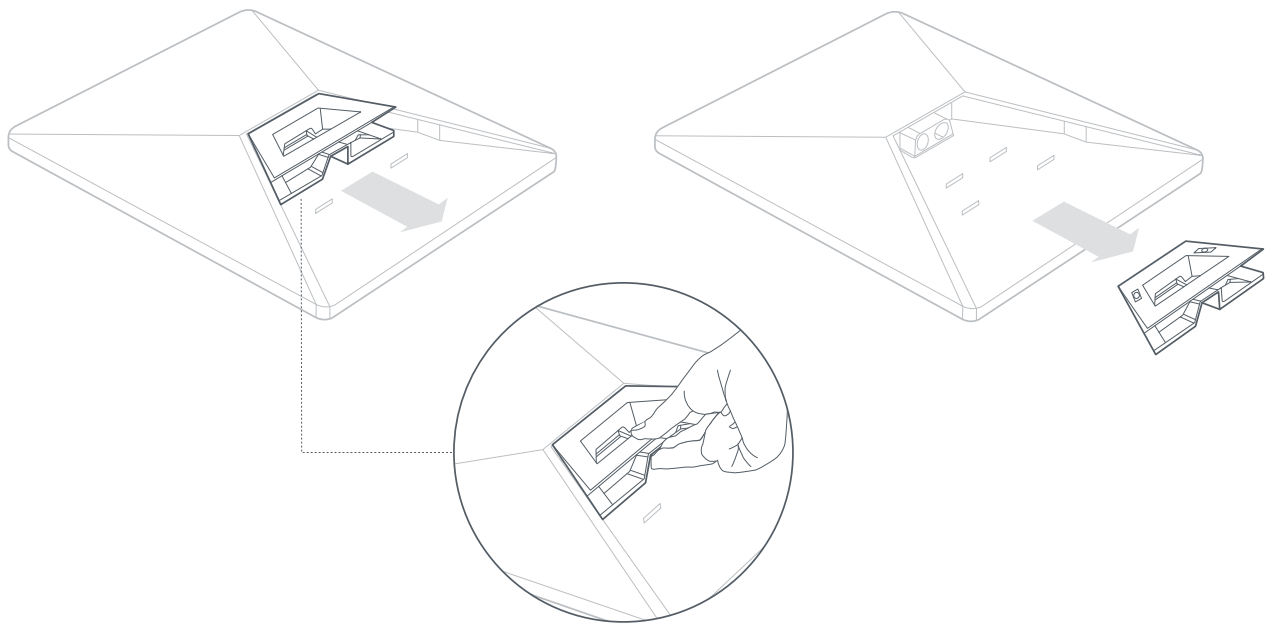
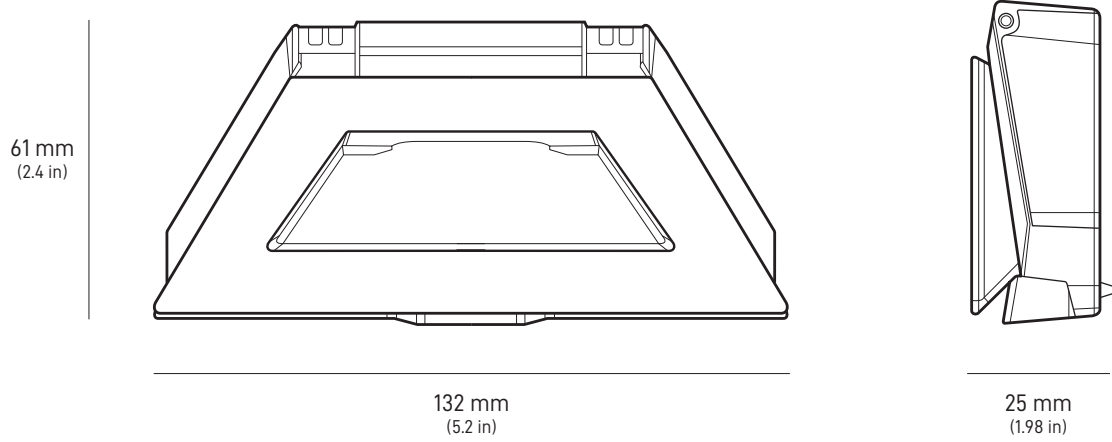


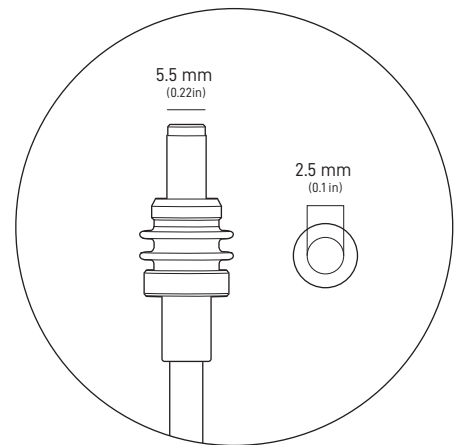
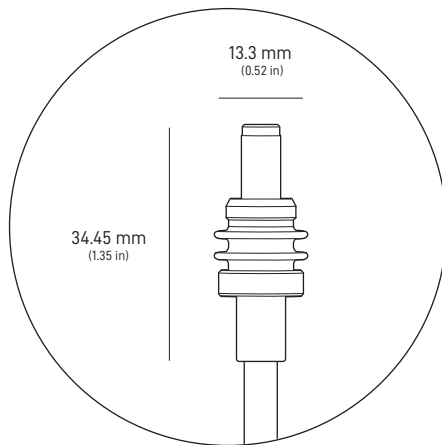
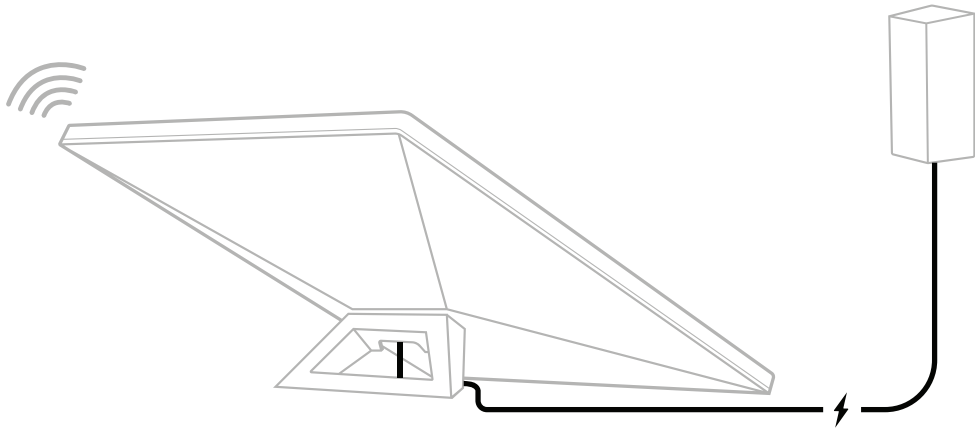


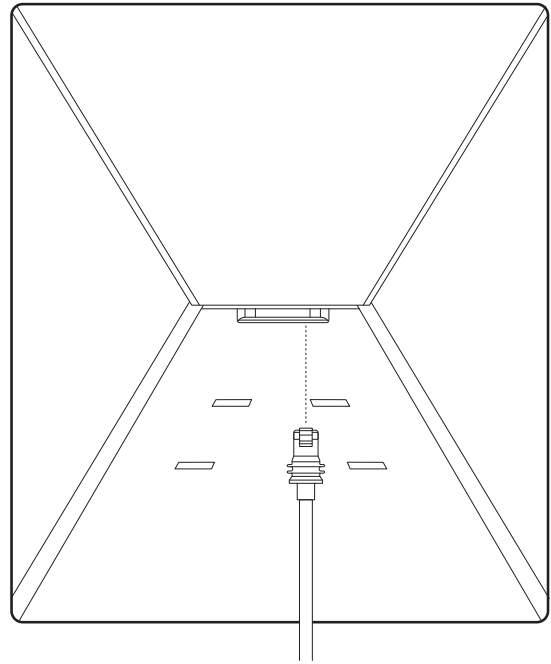
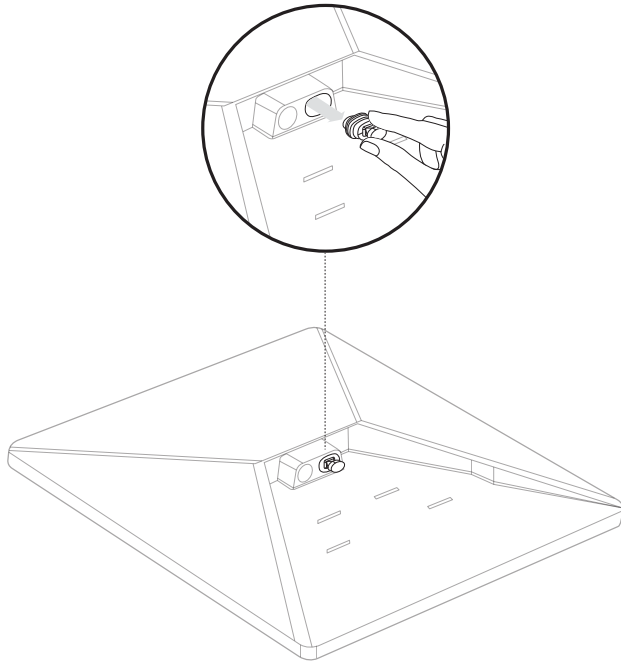
<b>Wi-Fi Technology</b>	802.11a/b/g/n/ac
<b>Generation</b>	WiFi 5
<b>Radio</b>	Dual Band 3 x 3 MU-MIMO
<b>Ethernet Ports</b>	One (1) Latching Ethernet LAN port with Starlink Plug
<b>Coverage</b>	Up to 112 m <sup>2</sup> (1,200 ft <sup>2</sup> )
<b>Security</b>	WPA2
<b>Power Indicator</b>	LED   rear face plate, lower left corner
<b>Mesh Compatibility</b>	Compatible with all Starlink mesh systems *Not compatible with 3rd party mesh systems
<b>Devices</b>	Connect up to 128 devices



<b>Product Dimensions</b>	91 x 44 x 51 mm (3.6 in x 1.7 in x 2.0 in)
<b>Weight</b>	0.2 kg (0.44 lbs)
<b>Environmental Rating</b>	IP66 Type 4
<b>Operating Temperature</b>	-30°C to 50°C (-22 to 122°F)
<b>Power Specifications</b>	100-240V ~ 1.6A 50 - 60 Hz

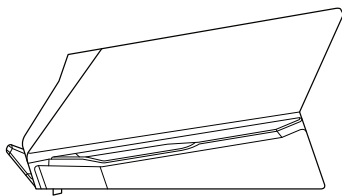






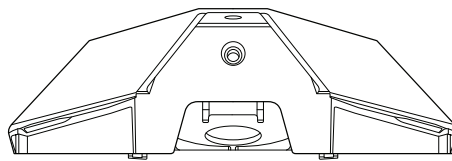
\*Mini Starlink Cable not included. Available on [shop.starlink.com](https://shop.starlink.com).  
This product is no longer rated IP67 with a standard RJ45 cable.

PIPE ADAPTER AND FLAT MOUNT

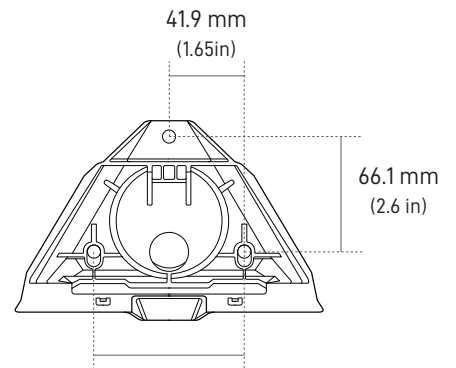


103.5 mm  
(4.07 in)

58.1 mm  
(2.29 in)



172.7 mm  
(6.8 in)



41.9 mm  
(1.65 in)

66.1 mm  
(2.6 in)

83.9 mm  
(3.3 in)